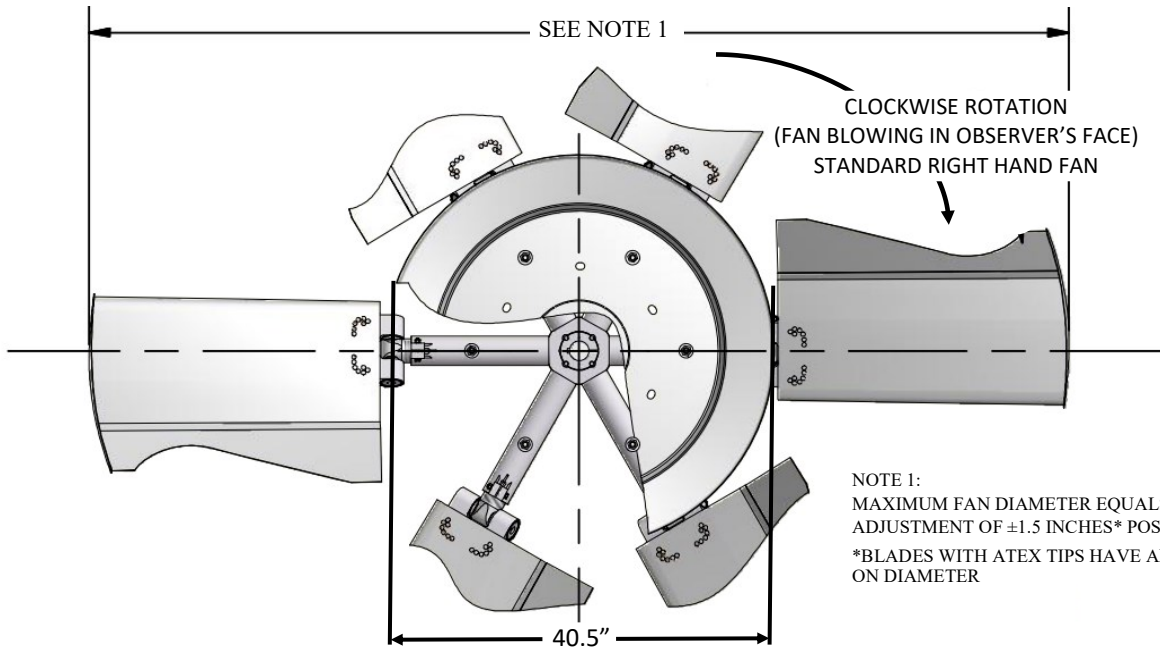
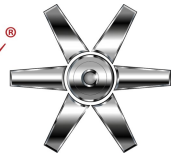


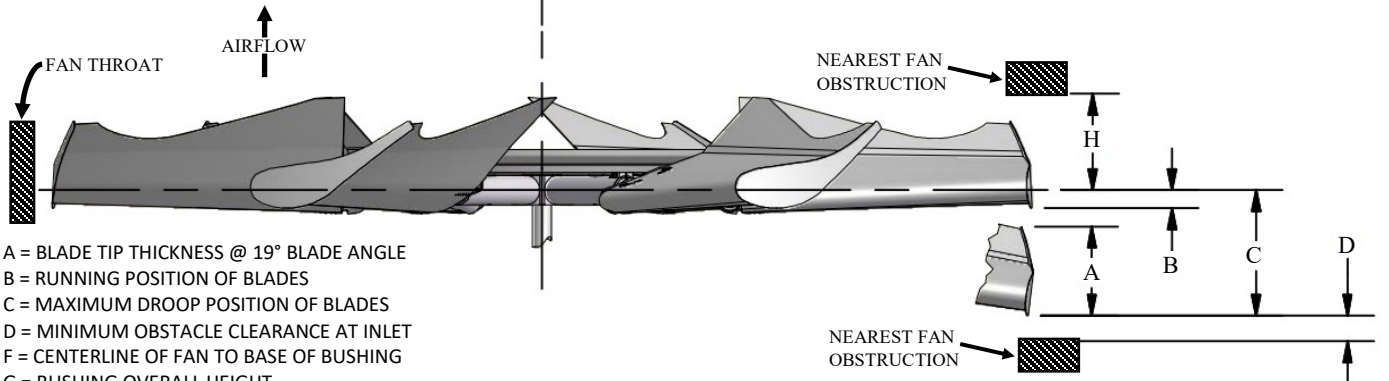
CLASS 10000 HD SERIES 42 EC

EXTENDED CHORD, RH ROTATION

Moore
FANS

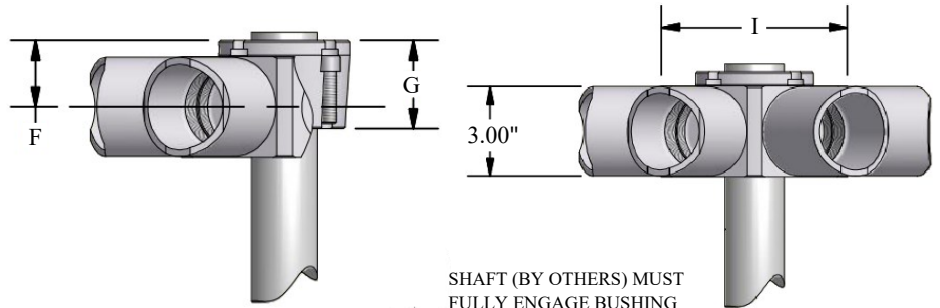


NOTE 1:
MAXIMUM FAN DIAMETER EQUALS NOMINAL FAN DIAMETER.
ADJUSTMENT OF ±1.5 INCHES* POSSIBLE AT INSTALLATION
*BLADES WITH ATEX TIPS HAVE ADJUSTMENT OF -1.0" & +2.0"
ON DIAMETER



- A = BLADE TIP THICKNESS @ 19° BLADE ANGLE
- B = RUNNING POSITION OF BLADES
- C = MAXIMUM DROOP POSITION OF BLADES
- D = MINIMUM OBSTACLE CLEARANCE AT INLET
- F = CENTERLINE OF FAN TO BASE OF BUSHING
- G = BUSHING OVERALL HEIGHT
- H = MINIMUM OBSTACLE CLEARANCE AT OUTLET
- I = NOMINAL MECHANICAL HUB DIAMETER
- L = MAXIMUM BUSHING TORQUE FT. LBS.
- # = WITH S.A.E. STANDARD SQUARE KEYWAY
- * = WITH SHALLOW KEYWAY IN BUSHING
- o = MAX METRIC BORE WITH STANDARD KEYWAY

BUSHING AND/OR AIR SEAL
CAN BE INSTALLED ON INLET
OR OUTLET SIDE OF FAN



SHAFT (BY OTHERS) MUST
FULLY ENGAGE BUSHING

**WITH FAN OPERATING AT
12000 FT/MINUTE BLADE TIP SPEED**

**PERCENT BLADE
LOADING**

DIA	A	B		C	D	H
		100%	75%			
7'	7.5"	4.8"	4.6"	5.3"	2.0"	14.0"
8'	7.5"	5.3"	5.0"	6.2"	2.0"	14.0"
9'	7.5"	6.0"	5.6"	7.3"	2.0"	14.0"
10'	7.5"	6.9"	6.2"	8.7"	2.0"	14.0"
11'	7.5"	7.9"	7.0"	10.2"	2.0"	14.0"
12'	7.5"	9.1"	7.9"	12.0"	2.0"	14.0"
13'	7.5"	10.4"	8.8"	14.0"	2.0"	14.0"
14'	7.5"	11.8"	9.9"	16.2"	2.0"	14.0"

MAX BLADES	BUSHING TYPE	MAX # BORE	MAX * BORE	MAX o BORE	I	F	G	L
6	U	2.750"	2.938"	75	7"	2.0"	2.7"	4000
8	U	2.750"	2.938"	75	9"	2.0"	2.7"	4000
10	U	2.750"	2.938"	75	12"	2.0"	2.7"	4000
6	W	3.750"	4.000"	100	9"	2.2"	2.8"	7300
8	W	3.750"	4.000"	100	9"	2.2"	2.8"	7300
10	W	3.750"	4.000"	100	12"	2.2"	2.8"	7300
10	Z	5.000"	5.500"	140	12"	2.2"	4.0"	18000